



TRENCHERS



Paladin Attachments is your single source for high quality attachments for skid steers, compact tool carriers, and excavators used for vegetation/land management, landscaping, soil preparation, material handling, and construction.



Bradco Trenchers, by Paladin, can mount to skid-steer loaders, compact skid-steer loaders and 3-point PTO HP hydrostatic tractors. Several boom lengths are available to match your job's specifications.

- Standard flow and high flow options available
- Choose from various chain and teeth assemblies



TRENCHERS

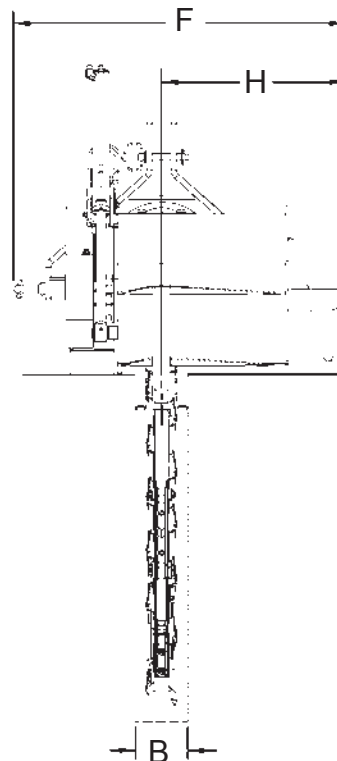
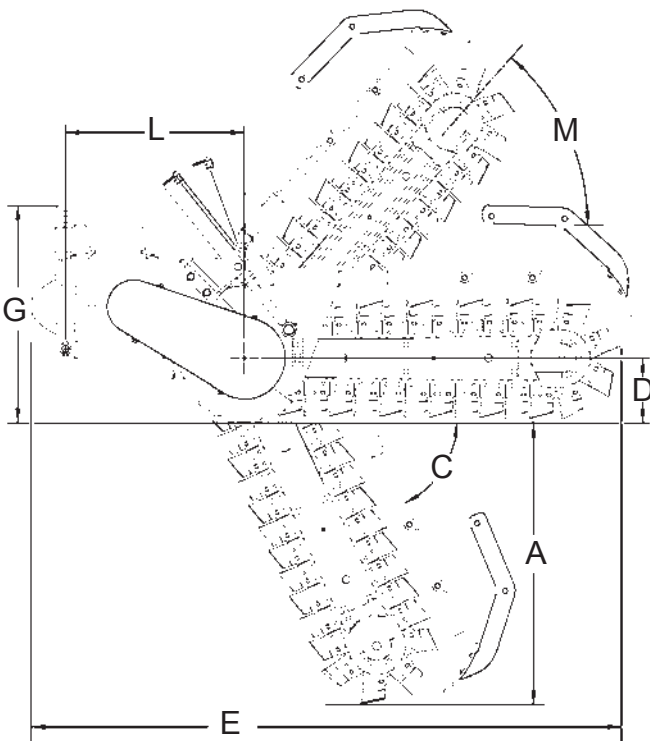
330 Trencher Specifications

Transport		
A. Trench Depth with Auger at 65° Digging Angle	30"	36"
B. Chain Width	3.0"	3.0"
	4.5"	4.5"
	6.0"	6.0"
	8.0"	8.0"
C. Recommended Trenching Angle	65°	65°
D. Headshaft Height (Auger Touching Ground)	8.5"	8.5"
E. Overall Length	73"	79"
F. Overall Width	38"	38"
G. Overall Height	29"	29"
H. Spoil Discharge Reach	21"	21"
L. Length from 3-Point to Headshaft (center of gravity)	24"	24"
M. Transport Angle	48°	48°
Weight with 6" x 36" chain, boom & crumber	650 lbs	
Hydraulic System		
Operating Hydraulic System	2000 to 25000 PSI	
Rear PTO RPM Rating	540 RPM	
Rear PTO HP Rating	15 to 30 HP	

330 TRENCHER

Bradco 330 Trencher requires rear hydraulics to run machine. Comes with light/medium duty boom and crumber with replaceable wear strips. Easy installation and operation.

- Category 1 ASAE S217.12 standard, 3-point mount for 15-30 PTO HP hydrostatic tractors
- Maintenance free PTO shaft drive with automatic slip clutch for overload protection
- 14" discharge auger
- 30" & 36" digging depth available to fit most applications
- 38,000 lb 1.654" anti-back flex-chain for tooth pattern versatility to support many soil types and conditions
- Compatible with model 615 chains
- ASAE S278.6 standard quick attach compatible
- Support stand is a standard feature



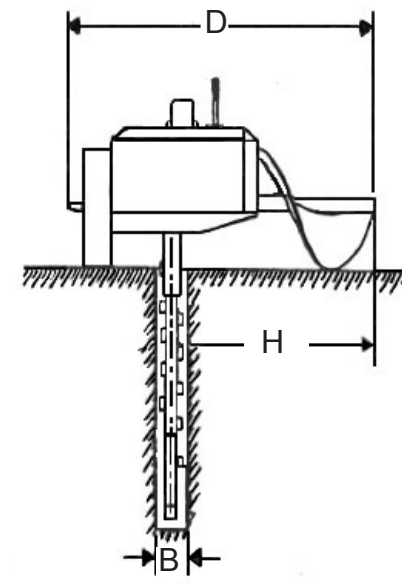
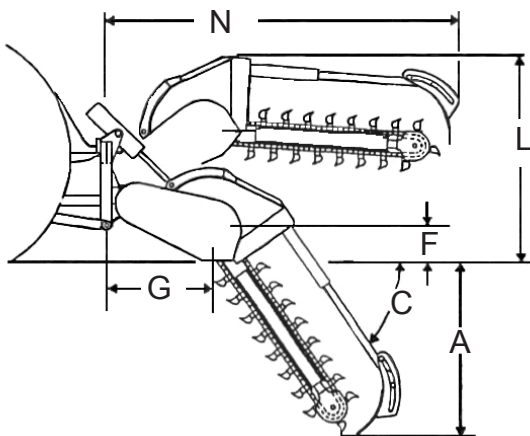
612 Trencher Specifications		Category I
3-Point Mounting		
A. Trench Depth	30", 36", 48", 60"	
B. Trench Width	6", 8", 10", 12"	
C. Trenching Angle	65°	
D. Auger Diameter	24"	
E. Width	43"	
F. Headshaft Height (auger at grade)	12"	
G. 3-point Length to Headshaft	24"	
H. Spoil Discharge Reach	29"	
L. Transport Height	varies	
M. Center of Trencher to End of Auger	27"	
N. Trencher Length with 4' boom	96"	
Maximum Trenching Depths Based on Trench Width		
6" wide	60" deep	
8" wide	48" deep	
10" wide	36" deep	
12" wide	30" deep	
Digging Chain Specifications		
Double standard, anti-backflex	50,000 lbs	
Standard chain pitch	2"	

*Requires hydraulic power outlets at rear of tractor or valve kit required

612 TRENCHER

Bradco 612 Trencher uses a Category I, 3-point mount for 20-45 PTO HP hydrostatic tractors.

- PTO shaft-drive with heavy duty slip clutch for overload protection
- Gearbox drive with chain reduction to the headshaft giving productive digging chain speed
- 24" discharge auger, places dirt well away from the trench
- Several tooth options available
 - cup
 - shark
 - rock & frost
- 50,000 lb 2" anti-back flex-chain
- 2 year limited warranty



TRENCHERS

615 Trencher Specifications

Boom Size	24"	30"	36"
A. Trench Depth with Auger at 65° Digging Angle	24"	30"	36"
B. Chain Widths	6", 8", 10", 12"	6", 8", 10"	4.5", 6", 8"
C. Trenching Angle	65°	65°	65°
D. Headshaft Height (Auger Touching Ground)	10"	10"	10"
E. Overall Length	51"	58"	65"
F. Overall Width	42"	42"	42"
G. Overall Height	28"	28"	28"
H. Spoil Discharge Reach	24"	24"	24"

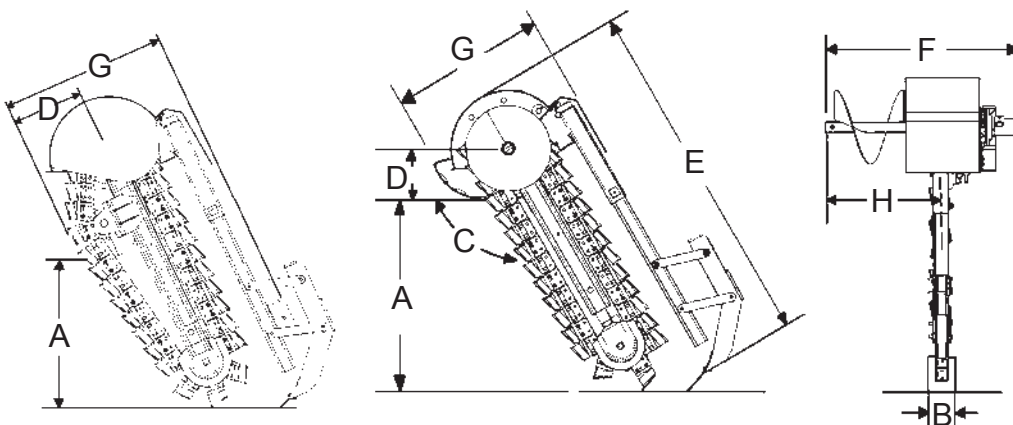
615F Trencher Specifications

Boom Size	24"	30"
A. Trench Depth with Auger at 65° Digging Angle	24"	30"
B. Chain Widths	6", 8", 10", 12"	6", 8", 10"
C. Trenching Angle	65°	65°
D. Headshaft Height (Auger Touching Ground)	17"	17"
E. Overall Length	65"	72"
F. Overall Width	26"	26"
G. Overall Height	29"	29"
H. Spoil Discharge Reach	18"	18"
Hydraulic System		
GPM Requirements	6-10 or 10-16 GPM	
Operating Pressure	2000 to 3000 PSI	

615 & 615F TRENCHER

Bradco 615 and 615F Trenchers provide 24", 30", and 36" digging depths to fit most applications, and include a heavy-duty boom and crumber.

- 2 motor options to match the flow of many skid-steer loaders
- Fixed length booms available featuring spring-loaded, self adjusting idler with full rock guards
- 50,000 lb 1.65" anti-back flex-chain for tooth pattern versatility to support many soil types and conditions
- 615F footing trencher offset allows cut outside skid-steer tread up to 72" width
- Allows tight fit with single side spoil augering
- Replaces dedicated machines at a fraction of the cost
- 615F with offset auger and side shielding allows for trenching next to footing form boards
- 2 year limited warranty

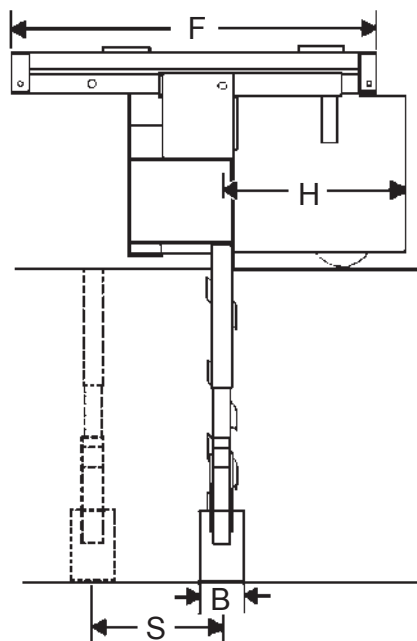
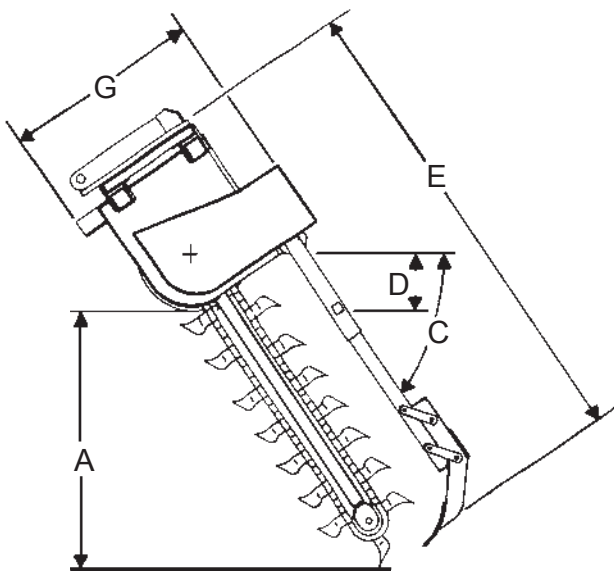


625 Trencher Specifications				
Boom Size	30"	36"	42"	48"
A. Trench Depth with Auger at 65° Digging Angle	30"	36"	42"	48"
B. Chain Widths	6", 8", 10", 12"	6", 8", 10"	6", 8", 10"	6", 8"
C. Recommended Trenching Angle	65°	65°	65°	65°
D. Headshaft Height (Auger Touching Ground)	8"	8"	8"	8"
E. Overall Length	66"	73"	79"	86"
F. Overall Width	53"	53"	53"	53"
G. Overall Height	32"	32"	32"	32"
H. Spoil Discharge Reach	18"	18"	18"	18"
S. Side Shift, Right of Center	17"	17"	17"	17"
Hydraulic System				
GPM Requirements	Min 14 / Max 22			
Operating Pressure	2000 to 3000 PSI			

625 TRENCHER

Bradco 625 Trenchers feature fixed length booms with spring-loaded, self adjusting idler with full rock guards.

- 30", 36, 42" & 48" digging depth available to fit most applications
- Heavy-duty boom & crumpler with replaceable wear strips
- Allows tight fit with single side spoil augering
- Replaces dedicated machines at a fraction of the cost
- Several tooth options available
 - cup
 - shark
 - rock & frost
- 50,000 lb 2" anti-back flex-chain for tooth pattern versatility to support many soil types and conditions
- Two position manual side shift mounting with optional infinite position using hydraulic side shift cylinder assembly
- 2 year limited warranty



TRENCHERS

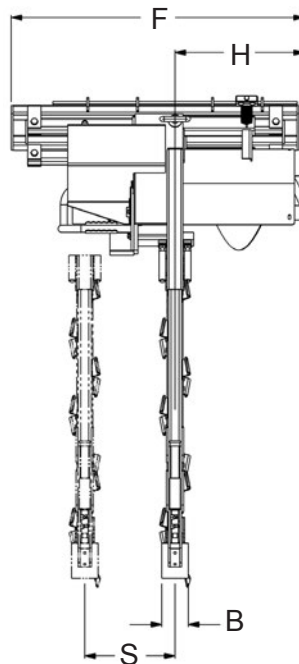
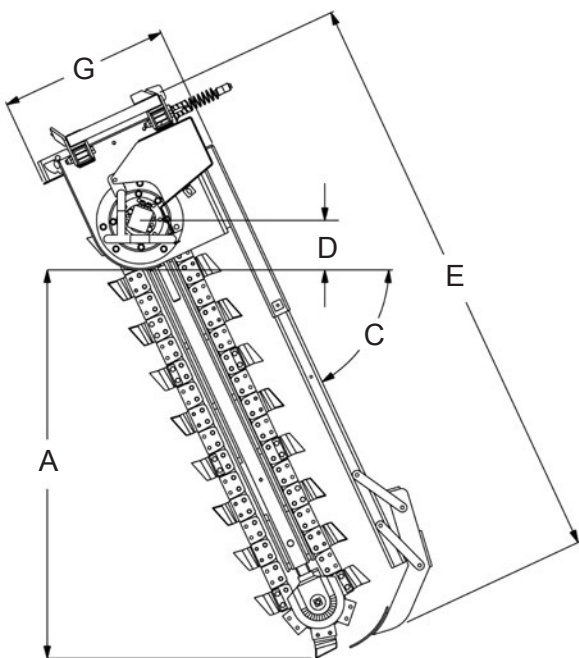
640 Trencher Specifications

Boom Size	30"	36"	42"	48"	60"
A. Trench Depth with Auger at 65° Digging Angle	30"	36"	42"	48"	60"
B. Chain Widths	6", 8", 10", 12"	6", 8", 10", 12"	6", 8", 10"	6", 8"	6"
C. Recommended Trenching Angle	65°	65°	65°	65°	65°
D. Headshaft Height (Auger Touching Ground)	8"	8"	8"	8"	8"
E. Overall Length	66"	73"	79"	86"	94"
F. Overall Width	53"	53"	53"	53"	55"
G. Overall Height	32"	32"	32"	32"	57"
H. Spoil Discharge Reach	18"	18"	18"	18"	24"
S. Side Shift, Right of Center	17"	17"	17"	17"	17"
Hydraulic System					
GPM Requirements (standard flow)	14 to 24				
GPM Requirements (high flow)	25-44				
Operating Pressure	2000 to 3300 PSI				

640 TRENCHER

The Bradco 640 Trencher features 5 motor options to match the flow of many skid-steer loaders. It has a two position manual side shaft mounting with optional infinite position using hydraulic side shift cylinder assembly.

- 30", 36, 42" & 48" digging depth available to fit most applications *60" high flow only
- Mechanical side shift with hydraulic option
- Fixed length booms available featuring spring-loaded, self adjusting idler with full rock guards
- Heavy-duty boom & crumpler
- Allows tight fit with single side spoil augering
- Replaces dedicated machines at a fraction of the cost
- Several tooth options available
 - cup
 - shark
 - rock & frost
- 50,000 lb 2" anti-back flex-chain for tooth pattern versatility to support many soil types and conditions
- 2 year limited warranty

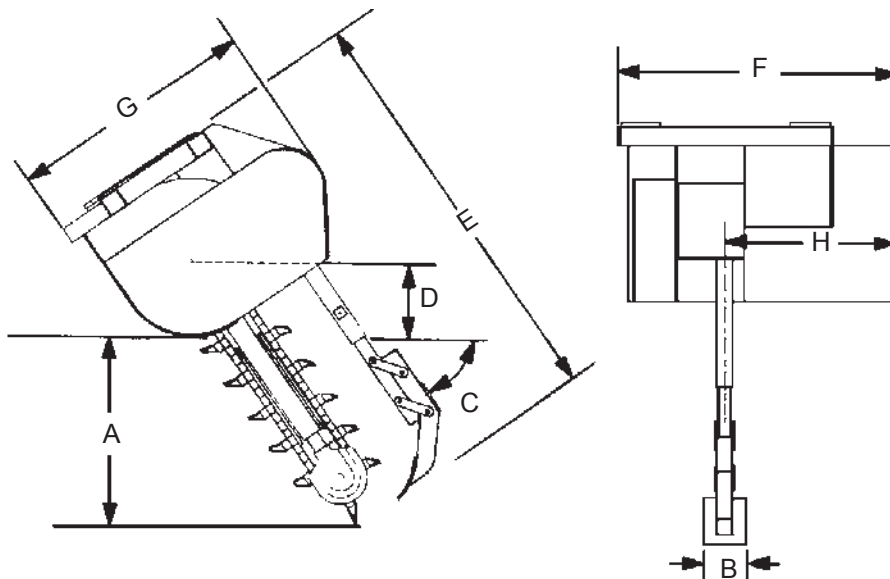


655 Rock Trencher Specifications	30" Boom
A. Trench depth with auger at 65° digging angle	30"
B. Chain widths	8"
C. Recommended trenching angle	65°
D. Headshaft height (auger touching ground)	11.25"
E. Length (overall)	58"
F. Width (overall)	43"
G. Height (overall)	37"
H. Spoil discharge reach	27"
Hydraulic Motor	35 cu. in. displacement
Hydraulic System	
GPM requirements	min 22 / max 42
Max operating pressure psi	3500

655 ROCK TRENCHER

When the job requires trenching through asphalt, frozen ground, fracturable rock, or extremely compacted soils, the Bradco 655 Rock Trencher will handle the conditions with ease.

- Mount to skid-steer loaders
- Does not require a dedicated power unit
- Heavy duty crumber & safety bar
- High flow
- 30" boom and 8" cutting width
- Tooth every station rock chain
- 2" pitch, 43,000 lb. anti-back flex chain for maximum performance and life
- Double standard chain for tooth pattern versatility
- Heavy duty chain reduction drive system amplifies torque to cutting chain
- High torque hydraulic motor for maximum digging power
- Low profile dirt shield for better operator visibility
- Built-in skid shoe to provide positive depth control for auger
- Pivoting crumber shoe to assist with loose soil removal
- 1 year limited warranty

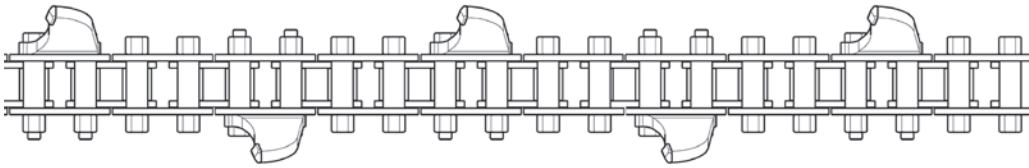


TRENCHERS

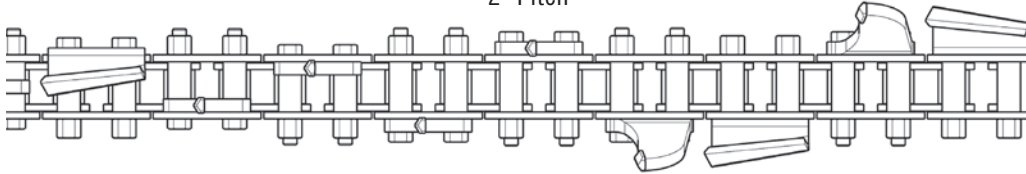
CHAIN OPTIONS

Trencher Chain & Teeth Assemblies

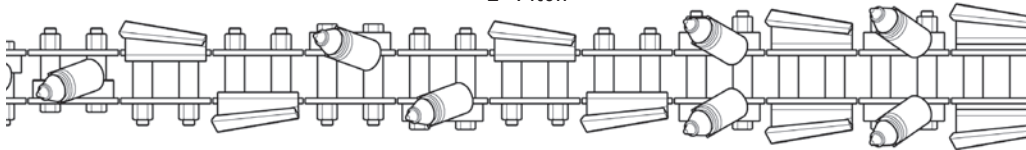
Full Shark Tooth Chain (100% shark teeth)



70/30 Combination Chain (aggressive shark style/cup teeth)
2" Pitch



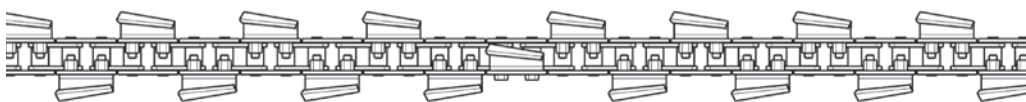
50/50 Rock & Frost Chain
2" Pitch



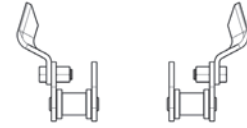
Tooth Every Other Station (TEOS)
2" Pitch 50,000#



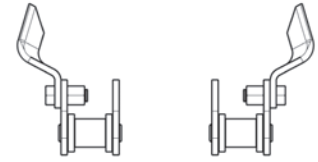
Tooth Every Station (TES)
2" Pitch 50,000#



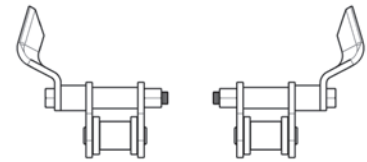
Chain Widths



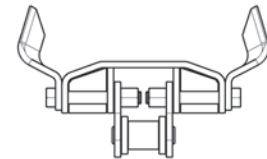
4" wide chain



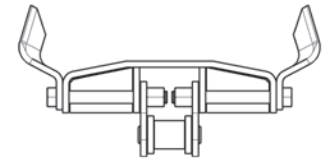
6" wide chain



8" wide chain



10" wide chain



12" wide chain

*When work needs to get done you need to be able to depend on your equipment.
Our material handling attachments are designed for maximum reliability,
durability, and productivity.*

Subject to change without notice.