



ROCK BUCKET & GRAPPLE

For Skid Steers and Tractor Loaders



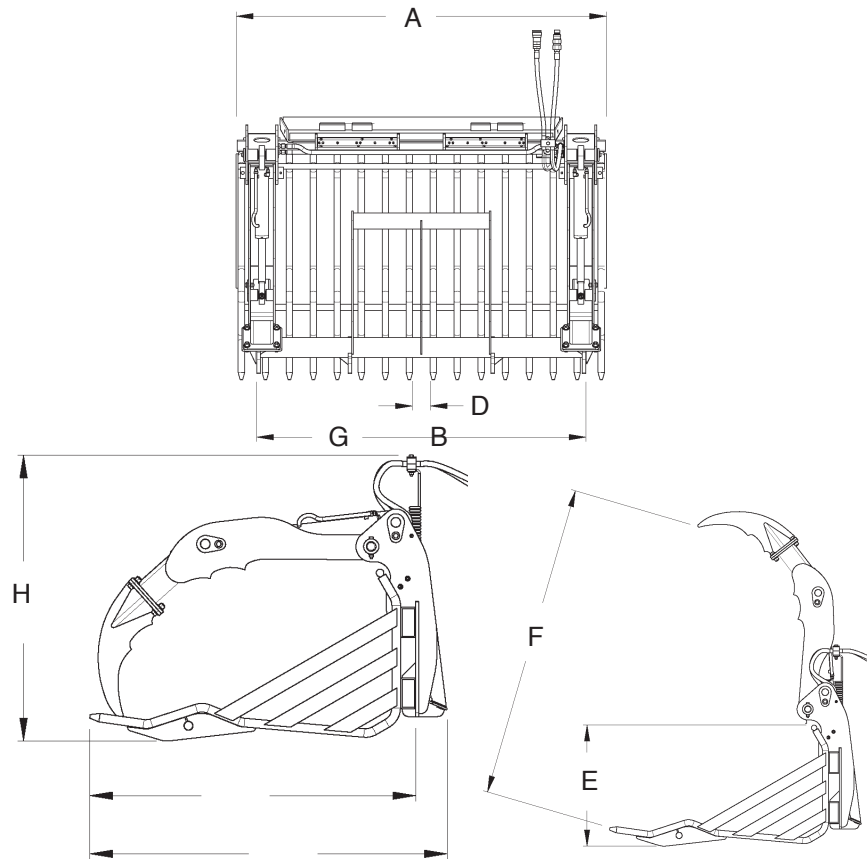
Paladin Attachments is your single source for high quality attachments for skid steers, compact tool carriers, and excavators used for vegetation/land management, landscaping, soil preparation, material handling, and construction.

Bradco's Rock Bucket, by Paladin, is available in 2" or 3" tine spacing and is designed to collect rocks and debris, allowing the soil to sift through. Rake design is used for fast clean-up, ground leveling, sifting out debris & rocks and gathering material away from buildings and obstructions.

- One grapple assembly fits 66", 75", and 84" rock buckets with 2" and 3" bucket tine spacing
- Hooks are welded to front tube rather than individual bolted for added strength and ease of assembly
- Replaceable front tine assembly
- Hooks do not extend beyond front plane of bucket tines
- Grapple hooks interlock with bucket tines
- Added structure between grapple arms to trap and contain debris
- Spherical bearings, threaded cylinder glands, and secluded grease zerks for added durability
- Easy to assemble grapple mounting

ROCK BUCKET & GRAPPLE

Specifications	2" Tine Spacing		3" Tine Spacing		
	66"	75"	66"	75"	84"
A. Width (overall)	68.4"	74.7"	65.9"	74.4"	82.6"
B. Depth No Mounting (overall)	43"	43"	43"	43"	43"
C. Depth with Skid-Steer Mounting	49.8"	49.8"	49.8"	49.8"	49.8"
D. Spacing Between Tines	2"	2"	3"	3"	3"
E. Bucket Height	22"	22"	22"	22"	22"
F. Grapple Opening	60.0"	60.0"	60.0"	60.0"	60.0"
G. Grapple Width	60.0"	60.0"	60.0"	60.0"	60.0"
H. Shipping Width Grapple (overall)	38.0"	38.0"	38.0"	38.0"	38.0"
Tine Rod Diameter	1.1"	1.1"	1.1"	1.1"	1.1"
Weight (lbs)	680	742	555	625	692
Number of Tines	22	24	16	18	20



Subject to change without notice.